



space for you

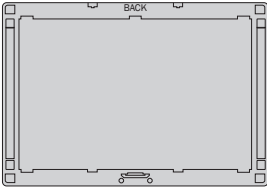

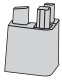
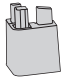

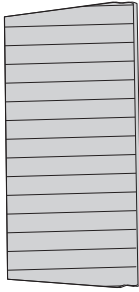








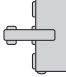
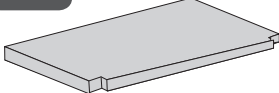


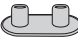
EXCELLENCE

9708000

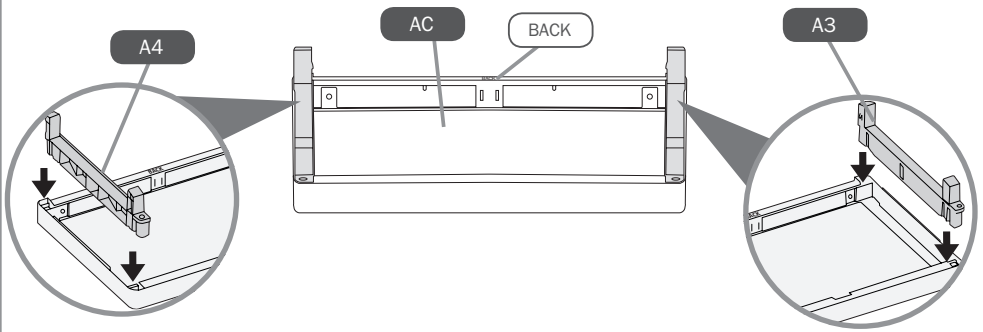
cm 65x45x182 h



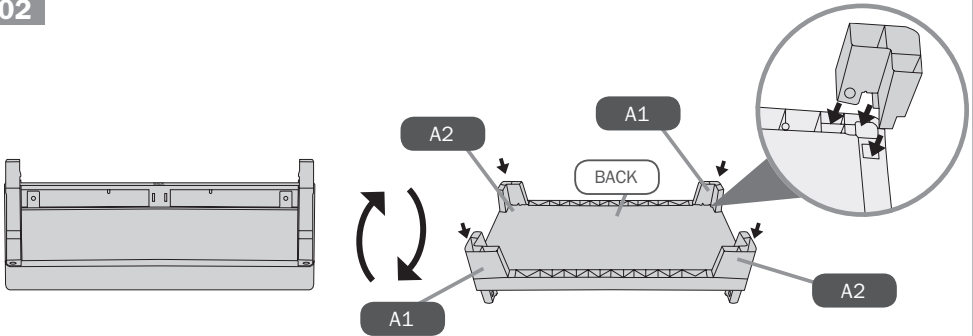
* Distribué uniformement - Uniformemente distribuido - Distribuiti uniformemente - Equally distributed

<p>2xAC</p> 	<p>4xT</p> 	<p>2xA1</p> 	<p>2xA2</p> 
<p>4xB1</p> 	<p>2x</p> 	<p>2xC2</p> 	
<p>4xD</p> 	<p>2xCDS/CDSL</p> 	<p>2xTM</p> 	<p>2xB2</p> 
<p>2xCDD/CDDL</p> 	<p>2xBM</p> 	<p>1xB3</p> 	<p>2xB4</p> 
<p>4xRA</p> 	<p>8x [3,9X16mm]</p> 	<p>8x [4,2X22mm]</p> 	<p>2xTT</p> 

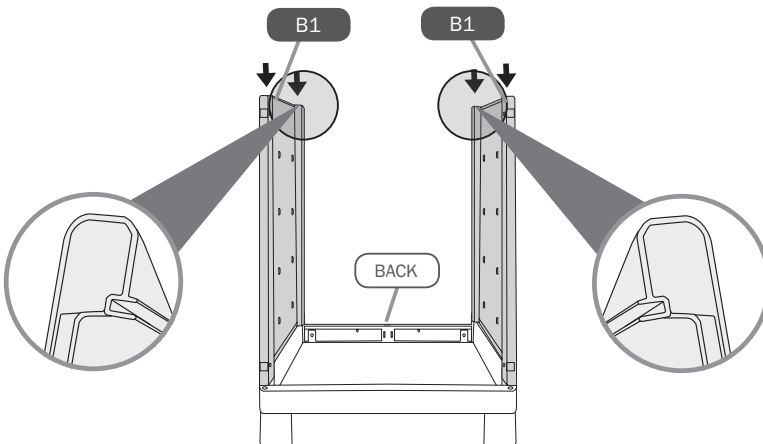
01



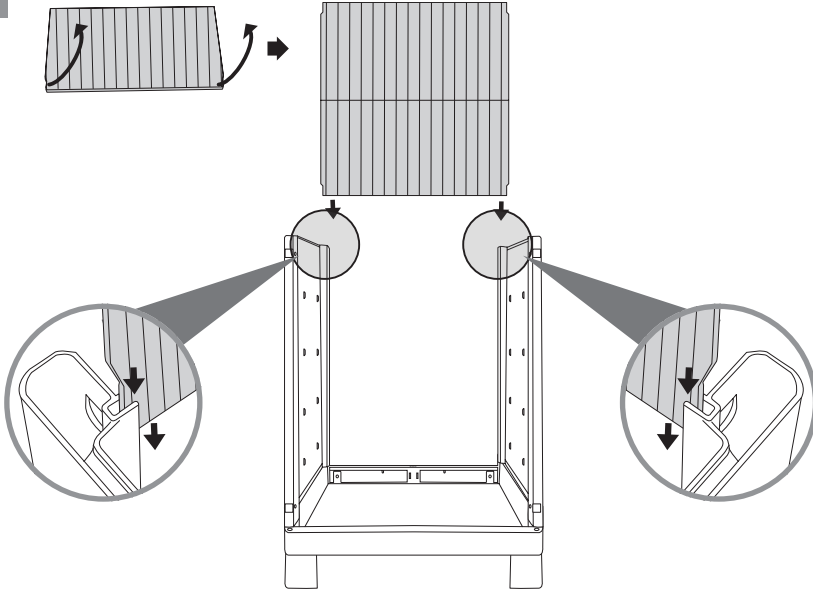
02



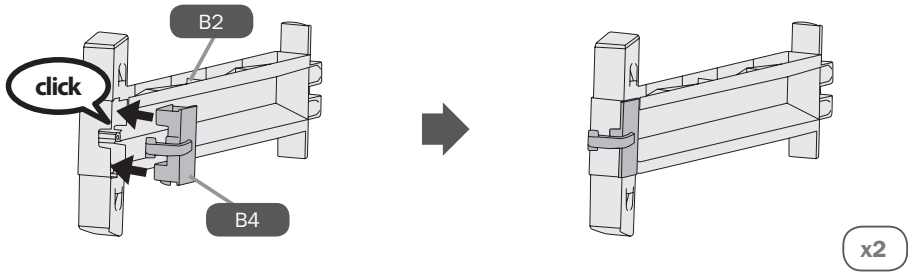
03



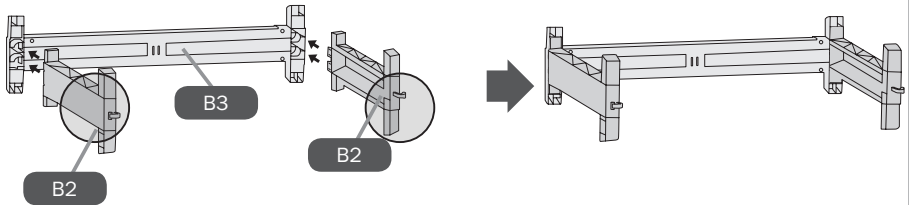
04

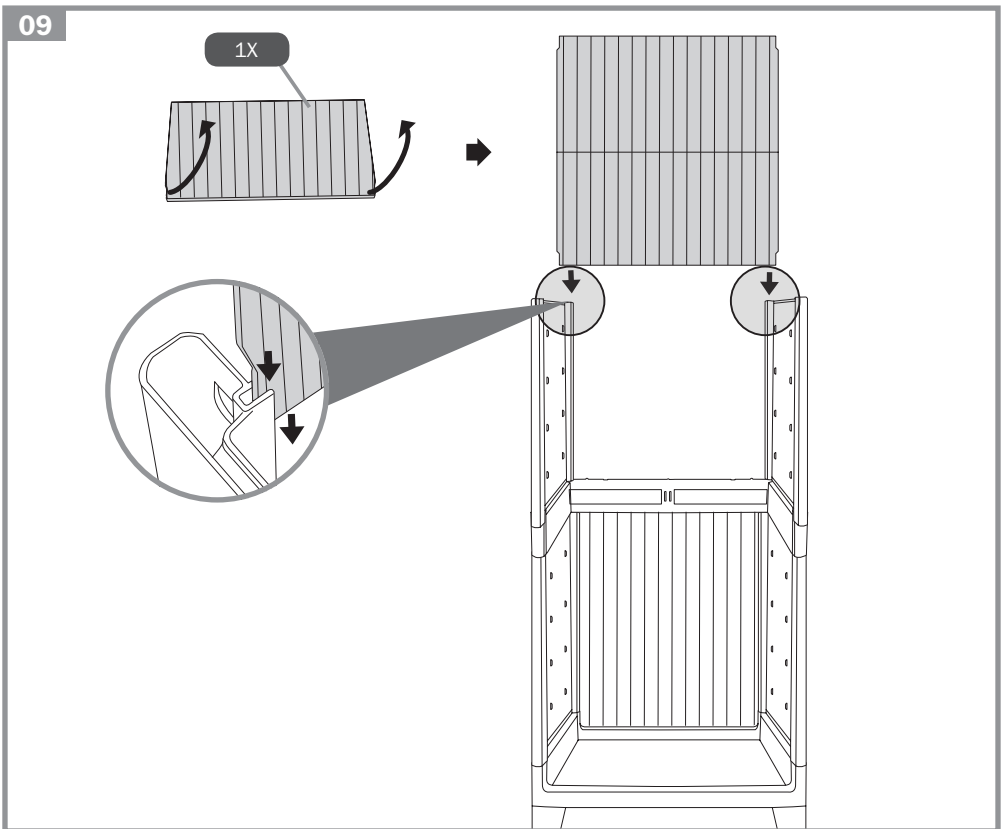
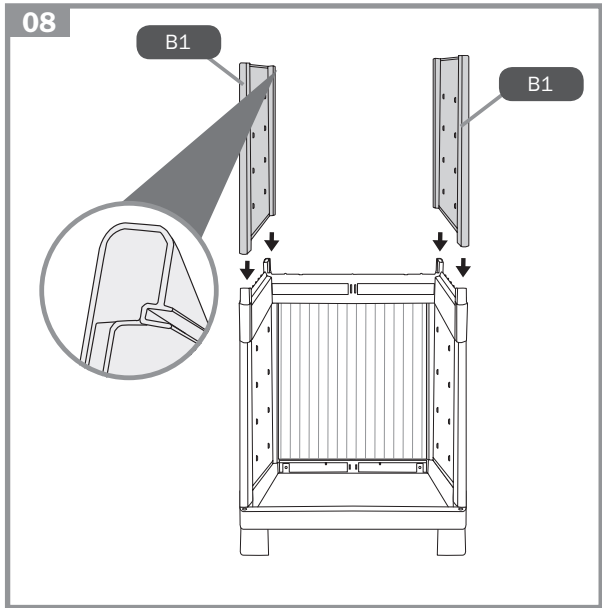
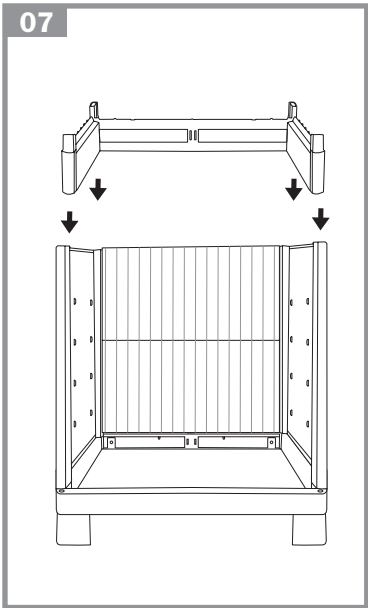


05



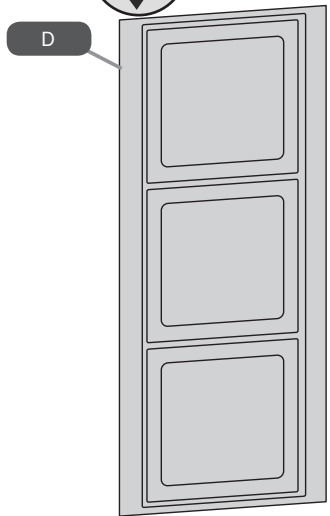
06



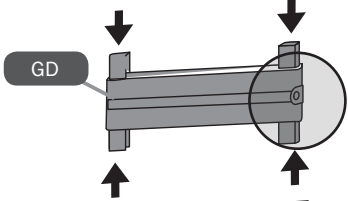


CDD/CDDL

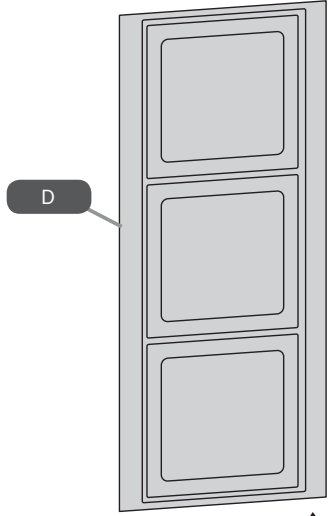
D



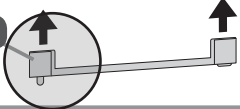
GD



D

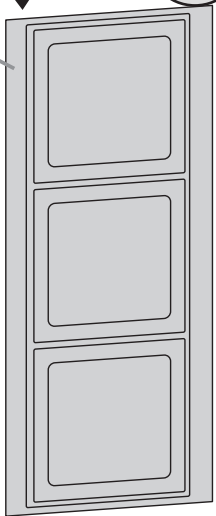


CDS/CDSL

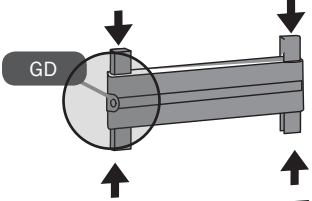


CDS/CDSL

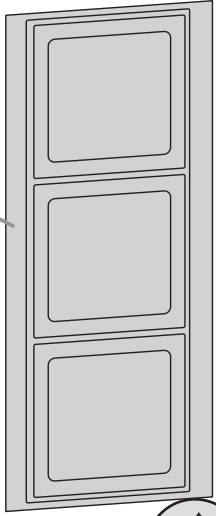
D



GD



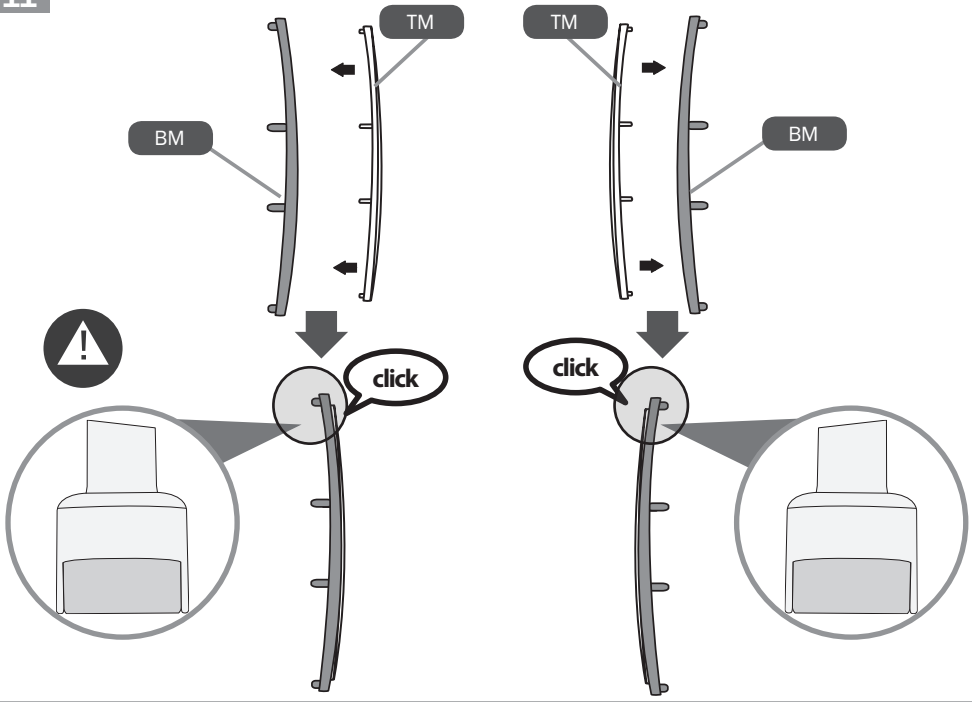
D



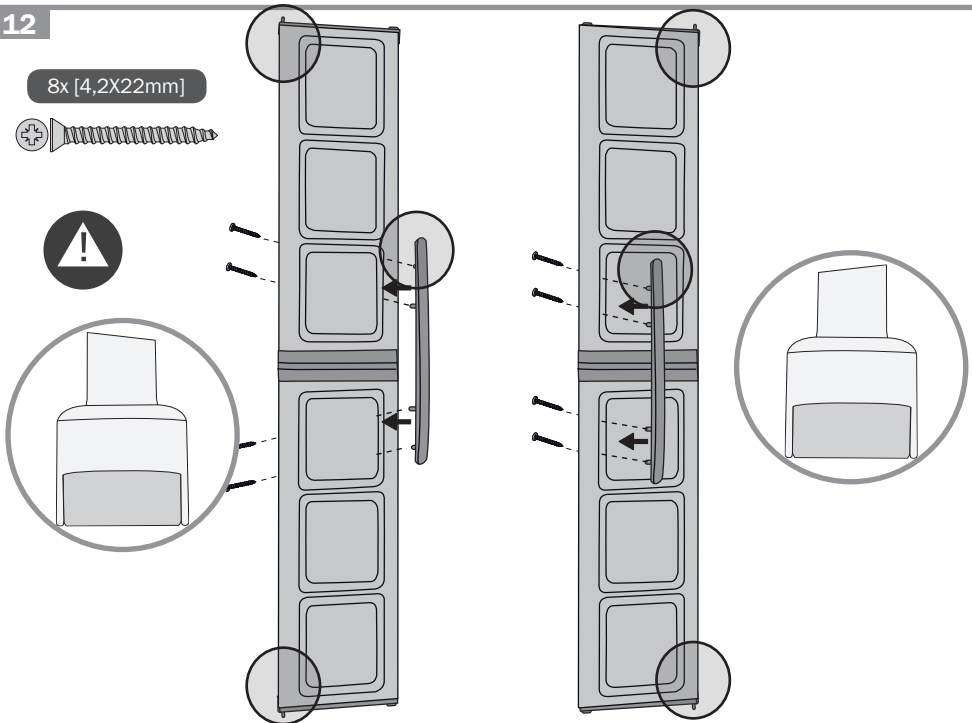
CDD/CDDL

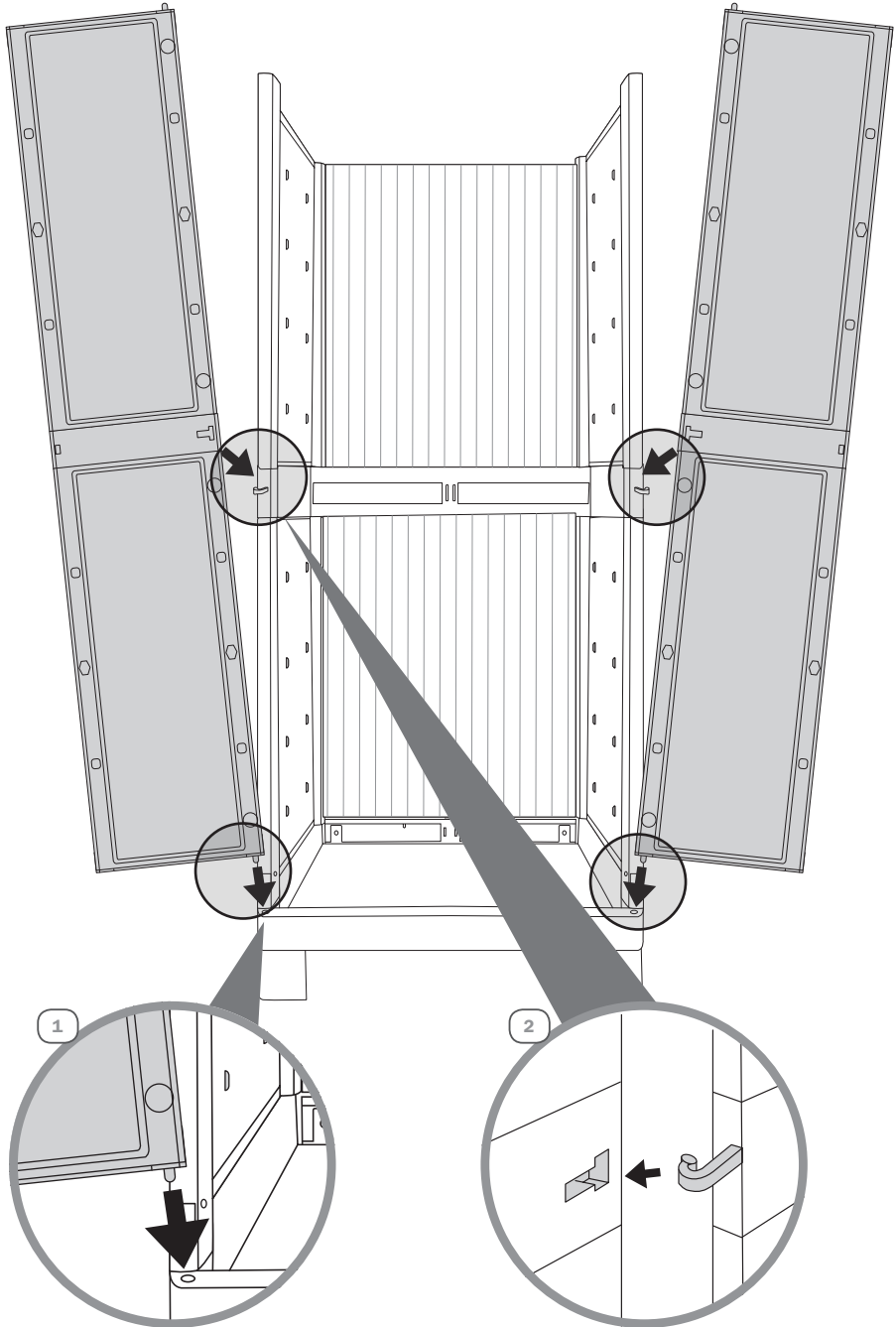


11

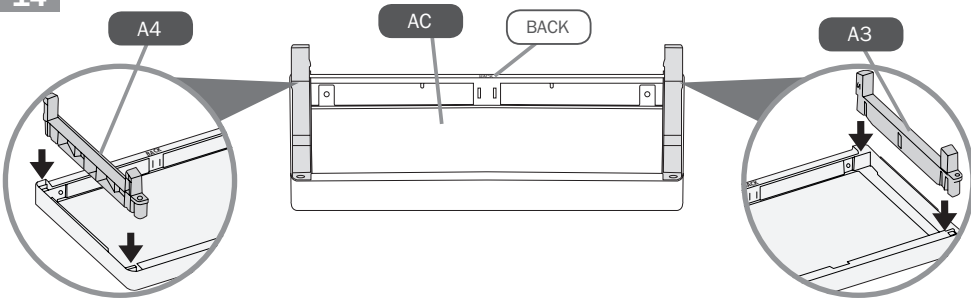


12

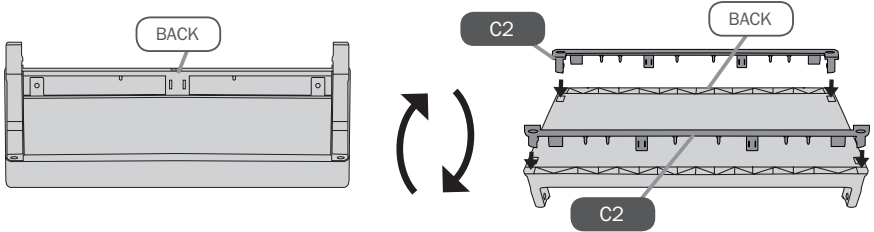




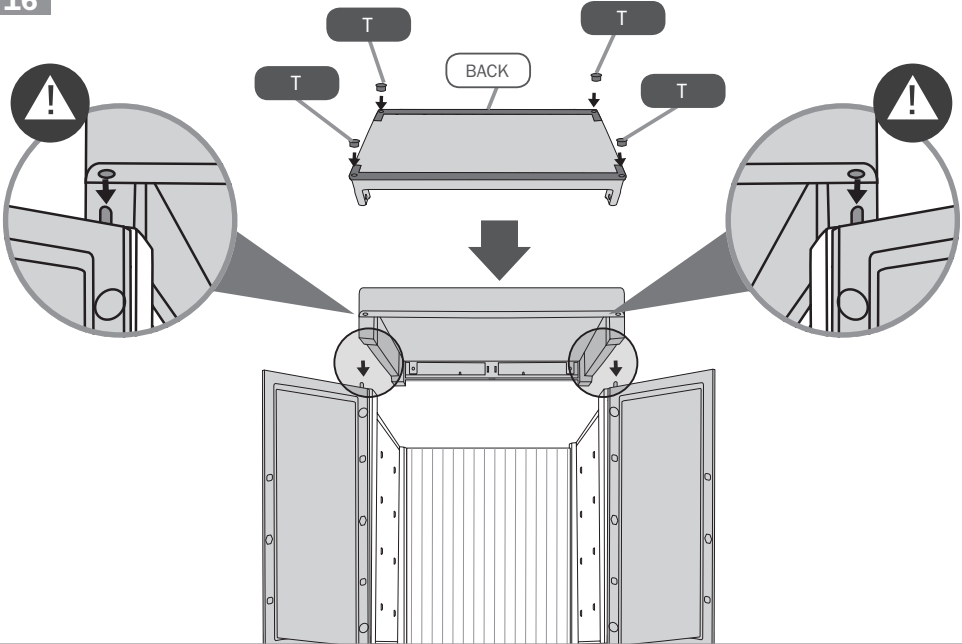
14



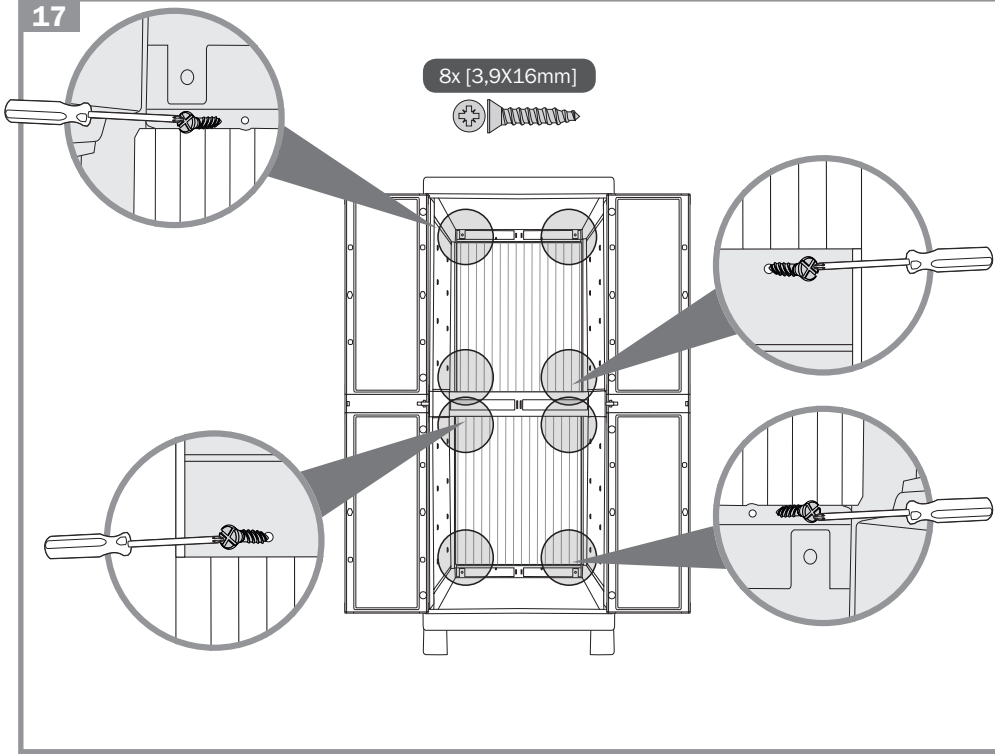
15



16



17



18

