





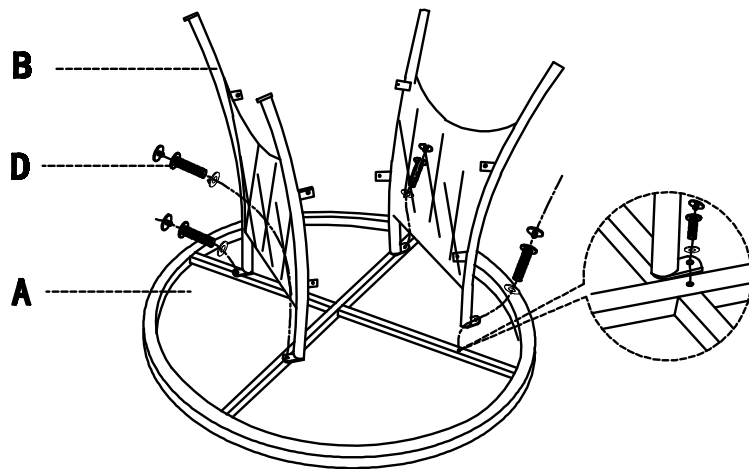
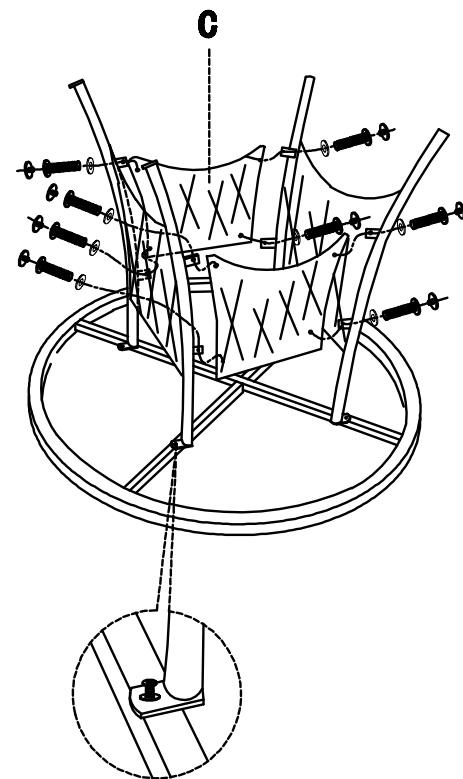


NO.	PICTURE	DESCRIPTION	QTY
A		DESKTOP	1
B		TABLE LEG	2
C		CONNECTOR	2
D		SCREW	12
E		WRENCH	1
F		GLASS	1

STEP-1



STEP-2



STEP-4



STEP-3

